



DESCRIPTION Optical Suspension 3 features a natural or dark burnished brass structure that supports three glass trihedrons, available in amber, smoke grey or crystal, creating a suspended and lightweight composition. The light source passes through the glass diffusers, radiating a soft light into the environment. Available in two versions: Standard, with a composition based on clean vertical and horizontal alignments and a rectangular canopy; and Canopy Kit, with a dynamic oblique configuration and circular canopy. The Optical collection is also available in floor, table, wall, suspension with one element and floor/suspension versions.

PRODUCTS DETAILS	FUNCTION	SUSPENSION
	LOCATION	INTERIOR
	LIGHT EMISSION	DIFFUSED LIGHT
	LIGHT SOURCE	STRIP LED 11,5W/m 2700°K 2000lm/m CRI 90+ 24Vdc TOT. = 34,5W 6000lm
	ENERGY EFFICIENCY	C
	RATED VOLTAGE	110 - 120 V / 220 - 240 V
	FREQUENCY	50 - 60Hz
	SUPPLY	TERMINAL BLOCK
	BALLAST	BALLAST INCLUDED

DALI or TRIAC dimming kit available upon request.

CERTIFICATION



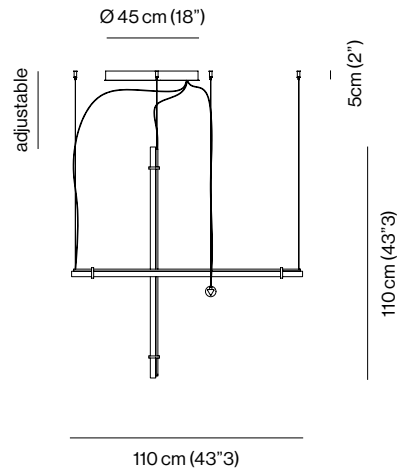
MATERIALS

STRUCTURE	
M03	NATURAL BURNISHED BRASS
M12	DARK BURNISHED BRASS
GLASS	
C-T	CRYSTAL TRIHEDRON
G-T	SMOKE GREY TRIHEDRON
R-T	AMBER TRIHEDRON

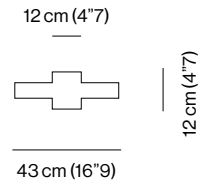
PACKAGE	QTY	DIMENSIONS	NET WEIGHT	GROSS WEIGHT	TOTAL VOL.
	1 x WOODEN CAGE	148 x 60 x H 42 cm (58"3 x 23"6 x H 16"5)	15 kg	35 kg	0,37 m ³

DIMENSIONS

STANDARD



J-BOX KIT



CANOPY KIT

