

# FLOS

F1081064 Bright Aluminium

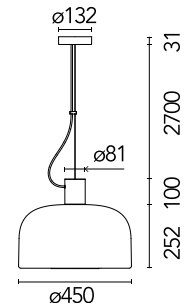
## Bellhop Glass S2

Designed by Edward Barber and Jay Osgerby, 2025



LED retrofit - 30W

Bellhop Glass Suspension can be used as an ambient but also as a task light, which directly illuminates, with a non-blinding cone of light, the surface on which it is suspended. The hole in the bottom part of the lamp, protected by an aluminum element, is shaped to direct the light (and change the bulb) avoiding the diffusion up to the eyes of those sitting at the table. A cone of light is therefore created inside the suspended Bellhop Glass, which expands homogeneously in the environment on all sides and lands on the table precisely, like a torch, visually signaled by the colored aluminum ring that surrounds the lower opening of the lamp.



Are you a professional and your project needs consulting and support?

[BOOK AN APPOINTMENT](#)

### Main specifications

EAN	8059607067758
Mounting	Suspension
Environments	Indoor dry location
Light source type	Bulb
Light sources included	No
Lamp category	LED retrofit
Lamp holders	E27
Icos	HSGSA
Number of lamps	1
Power (W)	30
System power (W)	30

### Physical

Colour	Bright Aluminium
Orientation	Fixed
Length (mm)	450
Cord colour	Grey
Cord length (mm)	2700
Canopy colour	White
Canopy length/diameter (mm)	132
Canopy height (mm)	31
Net weight (kg)	7.2
Package volume (m3)	0.14
IP internal	20

### Download

[Mounting instructions](#) PDF

[Mounting instructions](#) PDF

### Photometric Files

[LDT / IES](#) ZIP

### Technical Drawings

[2D](#) ZIP

[3D](#) ZIP

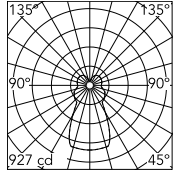
### Ecodesign and Energy

#### Labelling

Replaceable (LED only) light source by an end-user



## Schematic light drawing



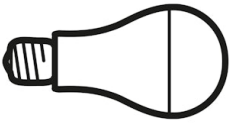
## Photometric

Lighting type	Total
Light distribution	Symmetric
Extreme cut off	No

## Electrical

Insulation class	I
Frequency (Hz)	50/60
Main voltage (Vac)	220-240
Dimmable	Yes
Dimming interface	Remote Dimmable (Dimmer Not Included)
Batteries inside	No

## Bulbs



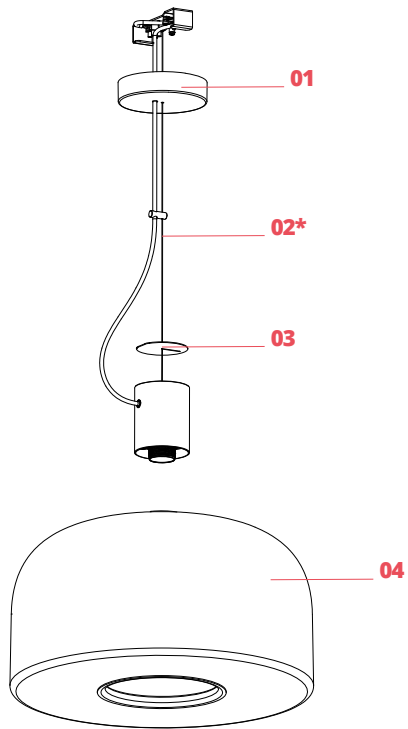
NOT INCLUDED

RF36503

LED 25W E27 3700lm 2700K

240° DIMMER

## Spare Parts



- |     |   |           |
|-----|---|-----------|
| 01. | Bellhop Glass S shiny white ceiling rose assembly | RF1081109 |
| 02. | Steel cable 3 meters                              | RF36887   |
| 04. | Bellhop Glass S2 white diffuser shiny ring        | F1083064  |

**\*To be replaced only by authorised service centres or qualified professionals.**



RF1081109  
Bellhop Glass S shiny white ceiling  
rose assembly



RF36887  
Steel cable 3 meters



F1083064  
Bellhop Glass S2 white diffuser  
shiny ring