

FLOS

F1084026 Cioko

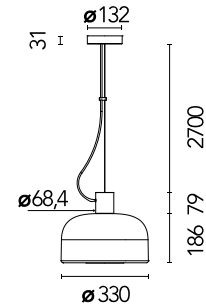
Bellhop Glass S1

Designed by Edward Barber and Jay Osgerby, 2025



LED retrofit - 30W

Bellhop Glass Suspension can be used it as an ambient but also as a task light, which directly illuminates, with a non-blinding cone of light, the surface on which it is suspended. The hole in the bottom part of the lamp, protected by an aluminum element, is shaped to direct the light (and change the bulb) avoiding the diffusion up to the eyes of those sitting at the table. A cone of light is therefore created inside the suspended Bellhop Glass, which expands homogeneously in the environment on all sides and lands on the table precisely, like a torch, visually signaled by the colored aluminum ring that surrounds the lower opening of the lamp.



Are you a professional and your project needs consulting and support?

BOOK AN APPOINTMENT

Main specifications

| | |
|------------------------|---------------------|
| EAN | 8059607073780 |
| Mounting | Suspension |
| Environments | Indoor dry location |
| Light source type | Bulb |
| Light sources included | No |
| Lamp category | LED retrofit |
| Lamp type | A |
| Lamp holders | E27 |
| Icos | HSGSA |
| Number of lamps | 1 |
| Power (W) | 30 |
| System power (W) | 30 |

Physical

| | |
|-----------------------------|-------|
| Colour | Cioko |
| Length (mm) | 330 |
| Cord length (mm) | 2700 |
| Canopy colour | White |
| Canopy length/diameter (mm) | 132 |
| Canopy height (mm) | 31 |
| Net weight (kg) | 3.1 |
| Package volume (m3) | 0.07 |
| IP internal | 20 |

Download

Mounting instructions [↓ PDF](#)

Mounting instructions [↓ PDF](#)

Photometric Files

LDT / IES [↓ ZIP](#)

Technical Drawings

2D [↓ ZIP](#)

3D [↓ ZIP](#)

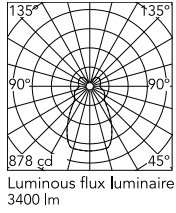
Ecodesign and Energy

Labelling

  Replaceable (LED only) light source by an end-user



Schematic light drawing



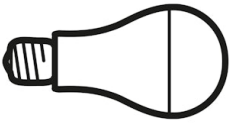
Photometric

| | |
|--------------------|-----------|
| Lighting type | Total |
| Light distribution | Symmetric |
| Extreme cut off | No |

Electrical

| | |
|--------------------|--|
| Insulation class | I |
| Frequency (Hz) | 50/60 |
| Main voltage (Vac) | 220-250 |
| Dimmable | Yes |
| Dimming interface | Remote Dimmable (Dimmer Not Included) |
| Batteries inside | No |

Bulbs



NOT INCLUDED

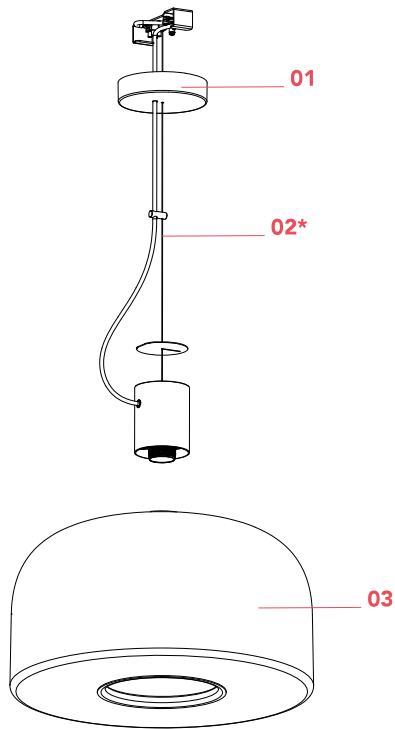
RF36503

LED 25W E27 3700lm 2700K

240° DIMMER

Spare Parts

- | | | |
|-----|---|-----------|
| 01. | Bellhop Glass S cioko ceiling rose assembly | RF1081126 |
| 02. | Steel cable 3 meters | RF36887 |
| 03. | Belhop Glass S1 diffuser white diffuser brown ring | F1086026 |



***To be replaced only by authorised service centres or qualified professionals.**



RF1081126
Bellhop Glass S cioko ceiling rose
assembly



RF36887
Steel cable 3 meters



F1086026
Bellhop Glass S1 diffuser white
diffuser brown ring