

Tufty-Time 20

SMALL TABLES

2025

Patricia Urquiola



Description

Designed to accompany the seating system of the same name, the Tufty-Time 20 coffee tables are available in different sizes, including a version designed to fit seamlessly between the sofa's modular elements. The coffee tables are available entirely in oak wood or with oak wood frames in combination with tops in brill anodized aluminium.

Technical information

Top

veneered MDF wood fibre panel or aluminum plate

Base

veneered MDF wood fibre panel

Plate, brace, base ballast

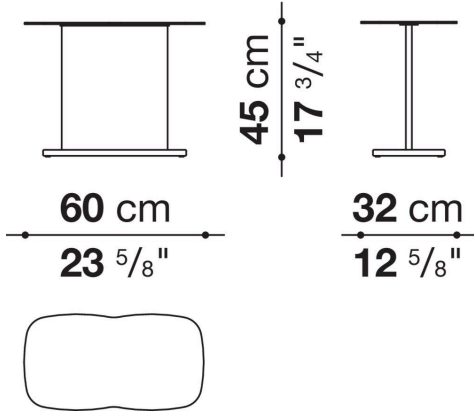
steel

Ferrules

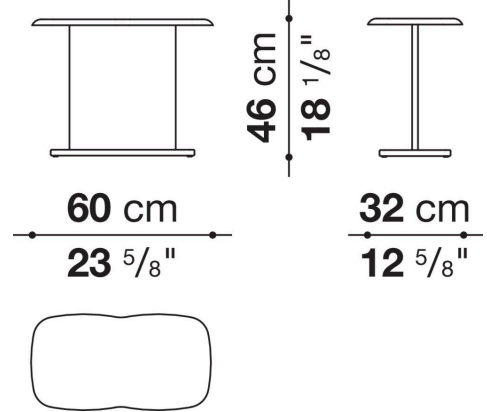
plastic material or felt

Technical drawings

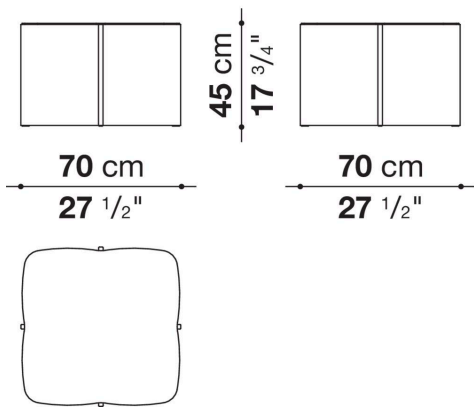
TYT60_A



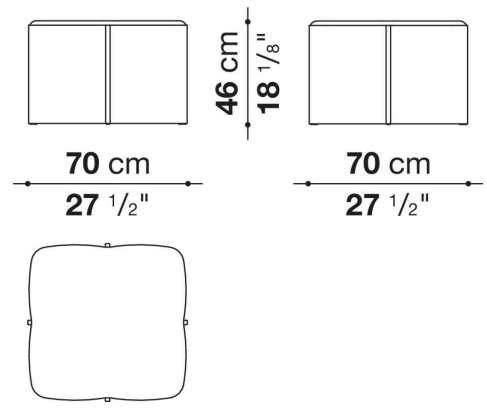
TYT60_AL



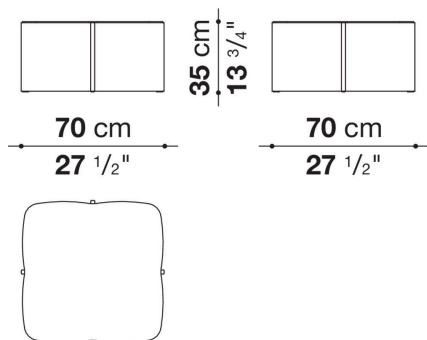
TYT70Q_A



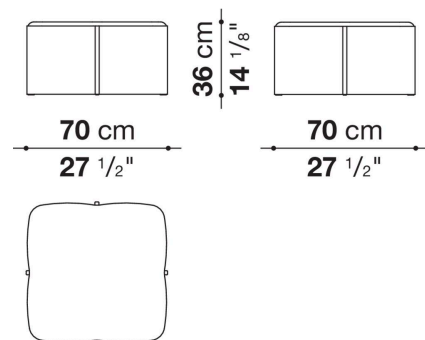
TYT70Q_AL

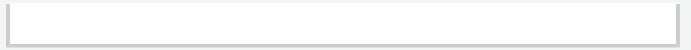
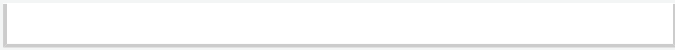


TYT70Q_B

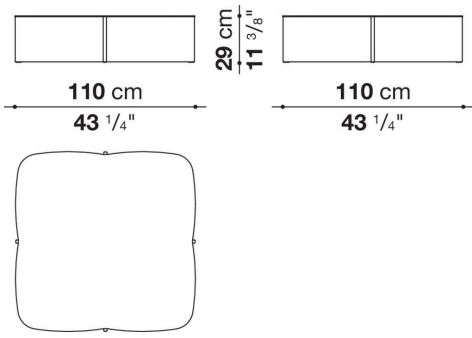


TYT70Q_BL





TYT110Q



TYT110QL

