
Tufty-Time 20

SOFAS

2025

Patricia Urquiola



Description

Tufty-Time 20 represents the contemporary evolution of Tufty-Time, the iconic sofa system designed by Patricia Urquiola in 2005. Twenty years after its launch, the system has been reinterpreted while maintaining the essential characteristics that have made it a great success, including modularity, enveloping comfort and compositional flexibility. The volumes, padding and seat height have been redesigned to offer even greater comfort, while the introduction of a curved module expands the system's potential, giving rise to even more fluid and convivial configurations, ideal for both residential and contract spaces. Particular attention has been paid to the theme of circularity. Tufty-Time 20 is in fact fully disassemblable, ensuring that all the components can be given a second life at the end of the product's life cycle.

Technical information

Internal frame

tubular steel and steel profiles

Internal frame upholstery

Bayfit® flexible cold shaped polyurethane foam, polyester fibre cover

Back cushion (T60_C)

down feather and polyester fibre, pillow style typology

Feet

thermoplastic material

Cover

fabric

Service element top (TY60-TY60L)

veneered MDF wood fibre panel or aluminum plate

Service element support (TY60-TY60L)

veneered MDF wood fibre panel

Service element plate and brace (TY60-TY60L)

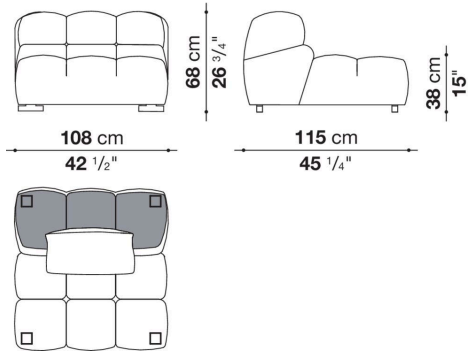
steel

Service element ferrules (TY60-TY60L)

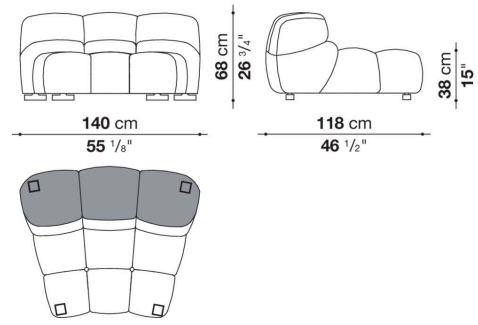
felt

Technical drawings

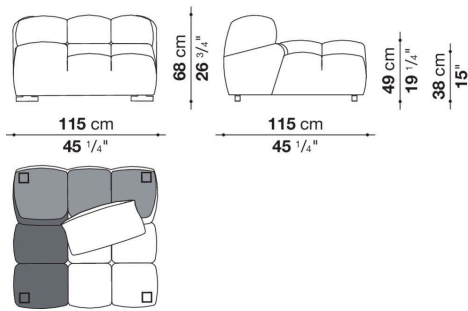
TY108C_3



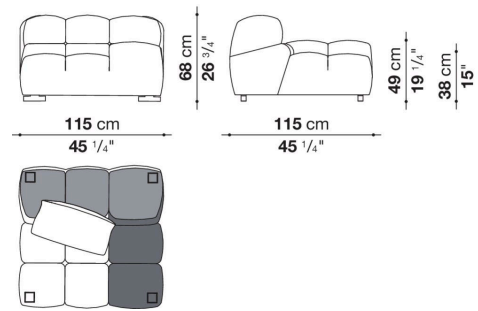
TY140CV_3



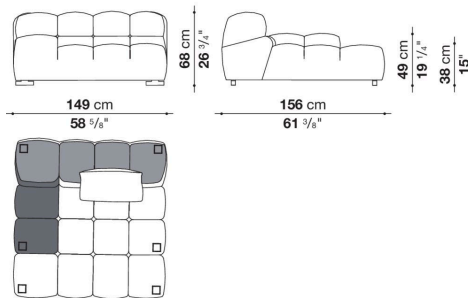
TY115BS_3



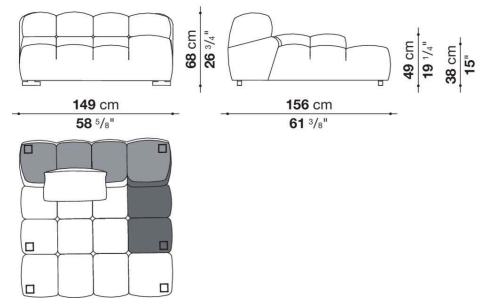
TY115BD_3



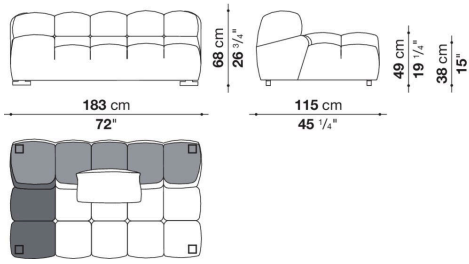
TY149BS_4



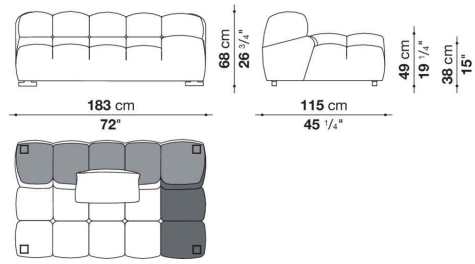
TY149BD_4



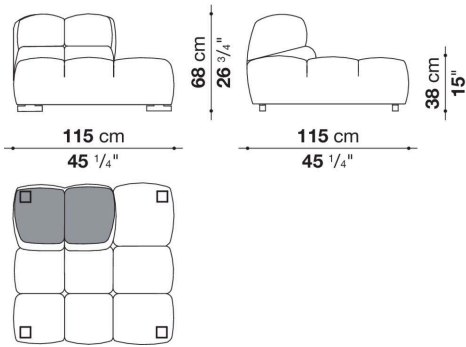
TY183BS_3



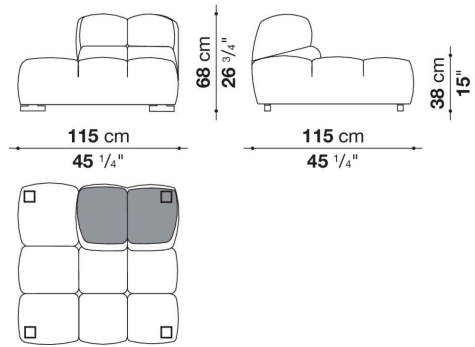
TY183BD_3



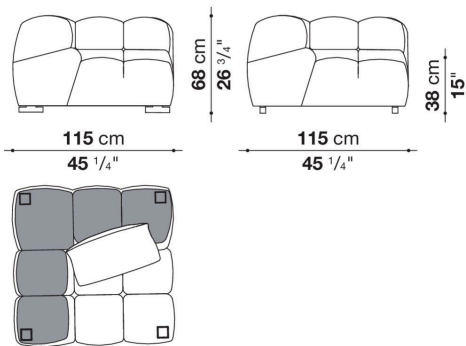
TY115TPS_3



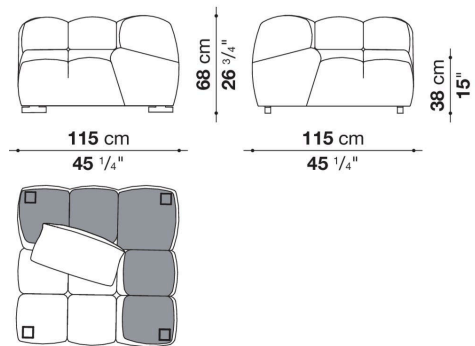
TY115TPD_3



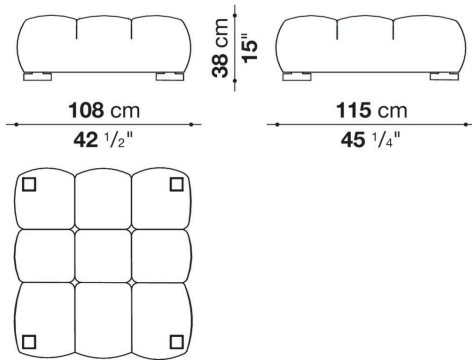
TY115_3S



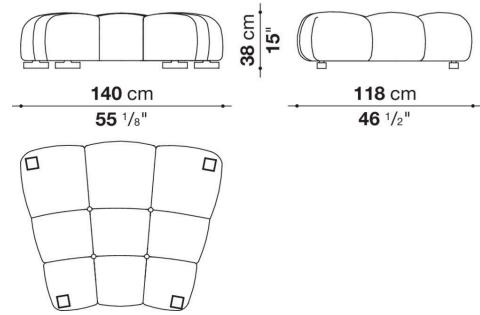
TY115_3D



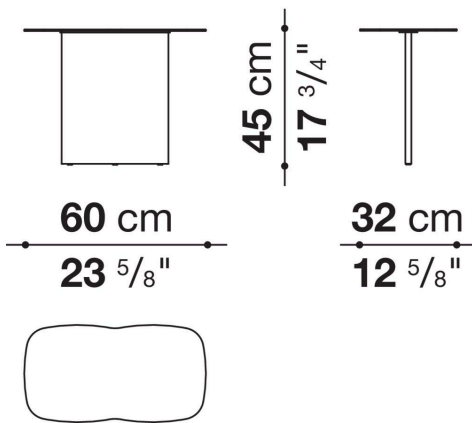
TY108P_3



TY140PV_3



TY60



TY60L

