

Halo circular

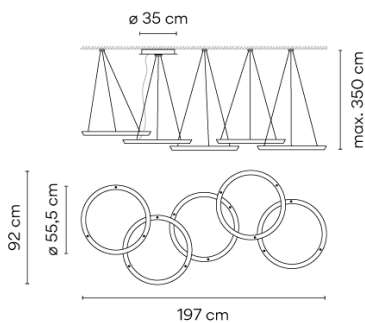
VIBIA

2333

Design By Martín Azúa

HALO is a hanging lamp with circular pieces, which creates subtle, magical lighting. Designed by Martín Azúa, it is available in matt white lacquer.

Model Sheet



Optional: Extra cable length
Min. quantity, upcharge and extra lead time apply [EN]

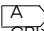
Finish  O3 White
RAL 9016

LED temperature color 2700 K / 3000 K

Dimming 1-10V / DALI / Casambi

Installation type Surface Canopy

Materials Diffuser: PMMA
Ceiling rose: Steel

LED  CRI>80 10430 lm 90.69
2700 K / 3000 K

Driver Constant Voltage 100~277 V V
50~60 Hz HZ

Remarks 1-10V Electronic dimming

Application Hanging lamps

Packaging 2 Box
0.6 m x 0.6 m x 0.27 m
Gross weight 30.75
Net weight 19.75
Vol. 0.1123

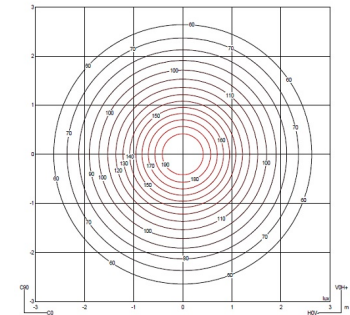
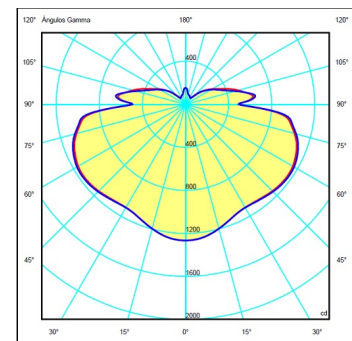
Lighting effect

General lighting

Lamp for general lighting that equally distributes the light in all directions.

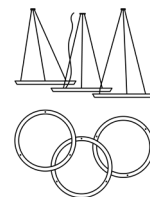


Photometric Data



Efficiency 62.72 lm/W
Coordinate System CG
Total Flux 8643.26 lm
Maximum Value 1266.82 cd

Other Applications



All of our products come with a five-year warranty. Check our legal terms at www.vibia.com/warranty

Vibia Lighting, S.L.U.

Office / Oficina
Progrés 4-6. 08850 Gavà. Barcelona, Spain.

International T +34 934 796 971
Spain / Portugal T +34 934 796 970

customer.service@vibia.com
vibia.com