

Ghost

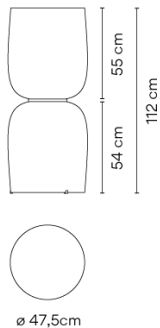
VIBIA

4960

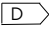
Design By Arik Levy

The Ghost table lamp features a stacked silhouette of bulbous forms that radiate a warm, ambient glow. The diffusers are made of mouthblown opal triplex glass in a choice of several colours for mix-and-match lighting effects.

Model Sheet



Finish	11 Black NCS S 8500-N
LED temperature color	2700 K Optional 2700 K Min. quantity, upcharge and extra lead time apply [EN]
Dimming	Push / 1-10V / Casambi / DALI
Installation type	Plug-in

Materials	Ceiling rose: Steel
Light source	2 x LED 19,8W 800mA 
LED	CRI>90 2716 lm 137 2700 K
Driver	Constant Current 800 100~240 V V 50~60 Hz HZ

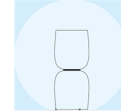
Dimmable LED IP20
 Bi-volt 50-60Hz PUSH 0-10V

Application	Table Lamps
Packaging	2 Box 0.61 m x 0.61 m x 0.79 m Gross weight 25.7 Net weight 22.7 Vol. 0.5878

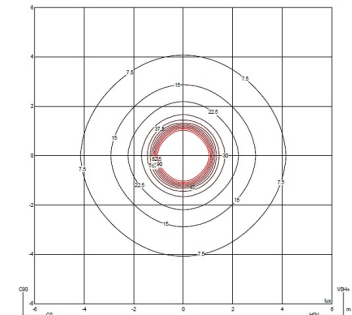
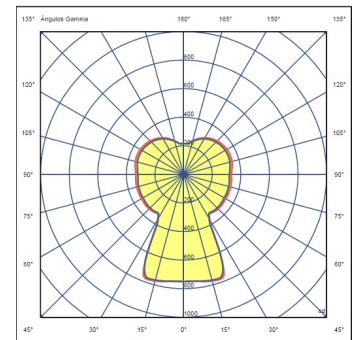
Lighting effect

General lighting

Lamp for general lighting that equally distributes the light in all directions.

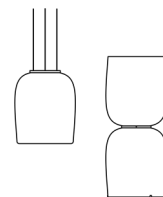


Photometric Data



Efficiency	80.56 lm/W
Coordinate System	CG
Total Flux	4266.67 lm
Maximum Value	776.20 cd

Other Applications



All of our products come with a five-year warranty. Check our legal terms at www.vibia.com/warranty

Vibia Lighting, S.L.U.

Office / Oficina
Progrés 4-6. 08850 Gavà. Barcelona, Spain.

International T +34 934 796 971
Spain / Portugal T +34 934 796 970

customer.service@vibia.com
vibia.com