



FLY OUTDOOR ANTONIO CITTERIO 2019

TABLES

FLY OUTDOOR | ANTONIO CITTERIO | 2019

TABLE

Structure in stainless steel 316 with electropolished or epoxy-powder-coated finish in white 100, wine red 405, khaki green 705, or burnished, matt titanium 710; or with embossed lacquered finish in white 300, sand 310, brick 320, sage green 330, terracotta 325, forest green 335, charcoal 350.

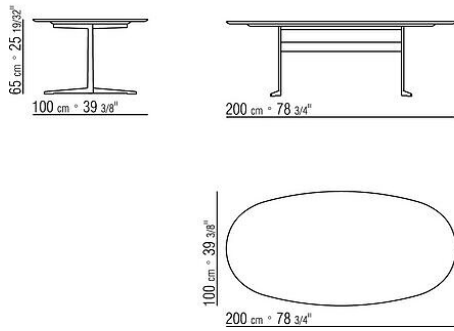
Top in the following types of stone: lava stone, porphyry, cardoso, beola argentata

Table tops 180x100 – 200x100 – 240x100 – 300x100 – ø 80 available also in solid iroko wood with natural finish, stained grey, stained brown or lacquered white finish, with stainless steel 316 support bars

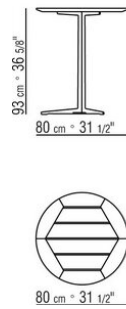
Feet in thermoplastic material

Cover in waterproof material; the cover is upon request, with upcharge

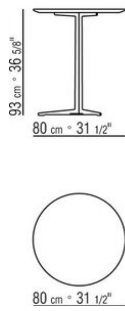
COD. 014XM7



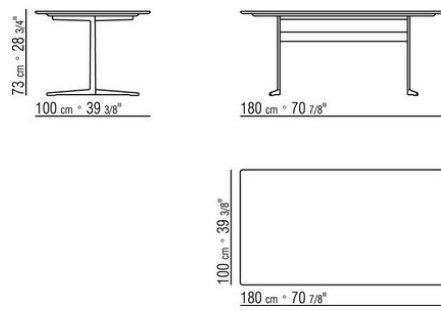
COD. 014XL8



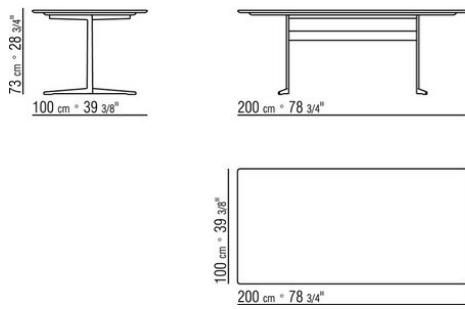
COD. 014XM8



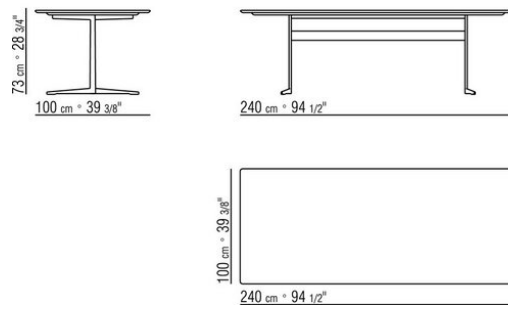
COD. 014XK3



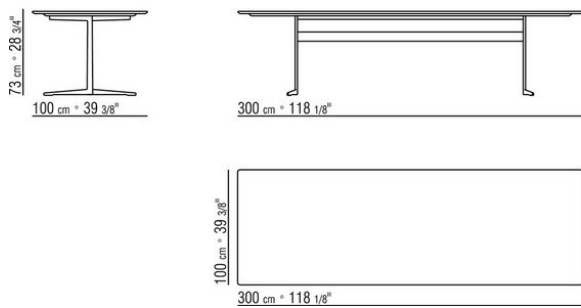
COD. 014XK5



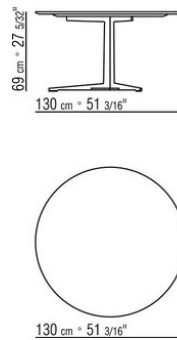
COD. 014XK0



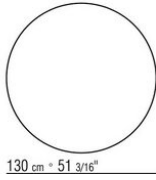
COD. 014XK2



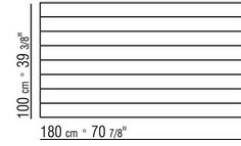
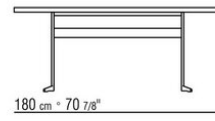
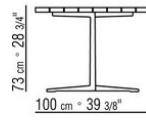
COD. 014XK7



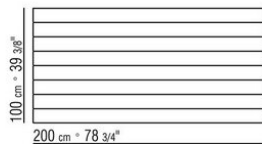
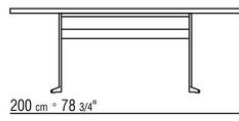
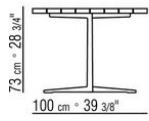
COD. 014XK8



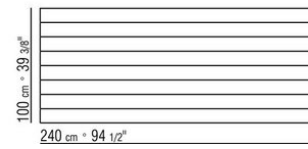
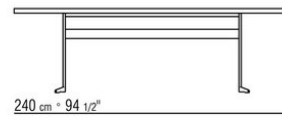
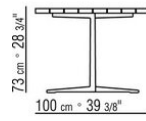
COD. 014XL3



COD. 014XL5



COD. 014XL0



COD. 014XL2

