

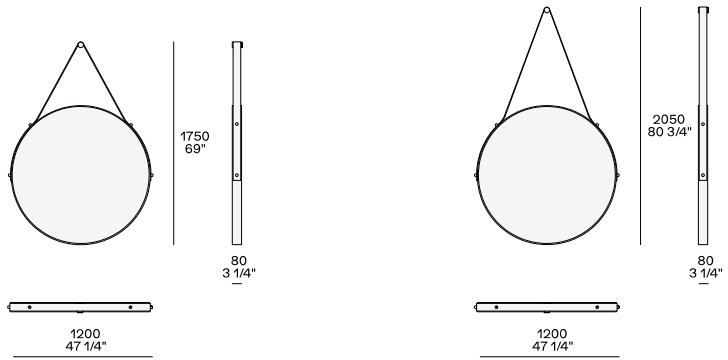


DESCRIPTION

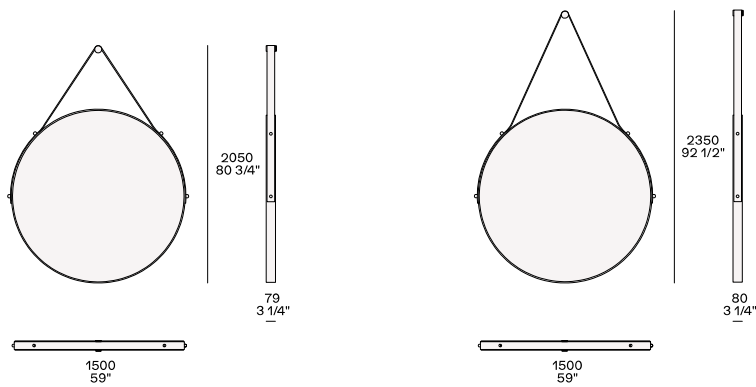
Typology	Mirror
Structure	Metal covered in hide with back in wooden particles faced with melamine
Thickness	80 mm
Features	Hook and glossy brass details

DIMENSIONS

Diameter 1200mm



Diameter 1500mm



STRUCTURE FINISHES

Hide



Hide

GLASS FINISHES

Glass



Mirror