



## Coordinates Module Suspension CLIII


by Michael Anastassiades , 2020

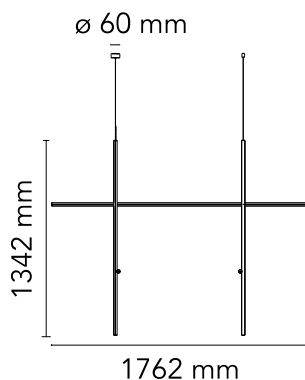
Coordinates is a lighting system with diffuse light composed of horizontal and vertical luminaires arranged in a bright grid of various shapes and complexities. Each element is made of extruded anodized aluminium with a champagne finish and a diffuser in platinum optical silicone with an integrated LED strip (CRI 95). Each element is powered and supported by an invisible electrical and mechanical connection designed specifically to allow for the composition of the 4 hanging models (S1, S2, S3, S4) with 2.5-m cables. The 'S Module' is also available. Its geometry was designed to be repeated to create large grids for custom installations. Each Coordinates configuration includes its own ceiling rose, whose integrated electronics allow for the use of different dimmer systems: push, 1-10, DALI. In the absence of these systems, the amount of light can be set during installation with the push system included in the rose. The related CI III version is also available for each configuration for installations with a remote power supply.



<b>Mounting</b>	Pendant
<b>Environment</b>	Indoor
<b>Weight</b>	5,9 Kg
<b>Light sources available</b>	1 x Strip Led 183W [i] 2700K 10230lm CRI95
<b>Emergency</b>	Without
<b>Voltage</b>	48V
<b>Power</b>	170W
<b>Battery</b>	No
<b>Supply included</b>	No

**Materials** Aluminum, Platonic silicone extruded opal

**Colors**  F1889044 - Anodized Champagne



# Coordinates Module Suspension CLIII

by Michael Anastassiades , 2020



RF27617  
HLG – 240H – 48°



RF26994  
Dimmer Led