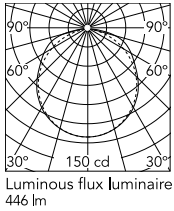




## Schematic light drawing



## Photometric

Lighting type	Direct
Light distribution	Symmetric
CCT (K)	2700
CRI>	95

## Electrical

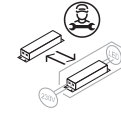
Insulation class	I
Frequency (Hz)	50/60
Main voltage (Vac)	220-240
LED voltage Vf (Vdc)	null
Driver	Integrated
Dimmable	Yes
Dimming type	Dimmable 0-10V, Dimmable Push, Dimmable 1-10V, Dimmable DALI 1
Dimming interface	Remote Dimmable (Dimmer Not Included)

## Ecodesign and Energy Labelling

This product contains a light source of energy efficiency class E

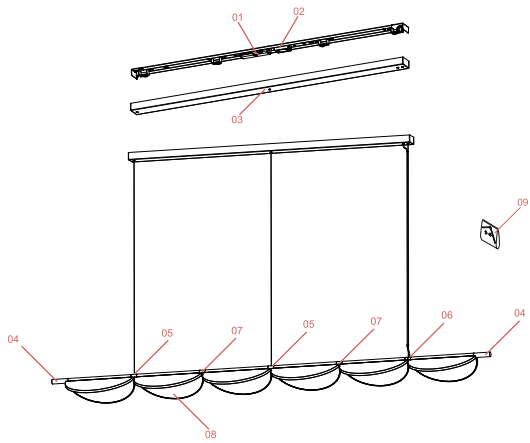


Non-replaceable light source



Replaceable control gear by a professional

## Spare Parts



- |     |                               |           |
|-----|-------------------------------|-----------|
| 02. | Led dimmer kit                | RF0410300 |
| 09. | Kit with screws and allen key | RF3160100 |



RF0410300

Led dimmer kit



RF3160100

Kit with screws and allen key