

mdf italia



© COPYRIGHT 2022 MDF ITALIA SRL SOCIETA' UNIPERSONALE

2021

20.VENTI LIGHT

Designed by 967ARCH

The 20.Venti Light collection was born from the simplification of the 20.Venti system and with the aim of responding to the different needs of the market: a simple solution with a smart design that guarantees ease of use and accessibility.

20.Venti Light is a workstation designed to make work more agile: the double workstations, available in different sizes, can be combined to create different configurations according to requirements.

By adding accessories, such as sound-absorbing panels, under-top trays, wireway sleeves and coloured sides, it is possible to enrich the workstation and organize the space in the best possible way, reducing distractions and increasing productivity.

Characterized by its essential aesthetics, designed by a 2x2cm aluminum profile, 20.Venti Light represents a desk solution that suits the most modern offices.

Designed by 967 ARCH for MDF Italia, it is available in three colour variants: white, light grey or black. Combined with complements and bookcases from the MDF Italia collection, it allows to create a welcoming and functional office, characterized by aesthetic values and quality materials.

[DISCOVER 20.VENTI](#)

[DISCOVER 20.VENTI HOME AND HOME LIGHT](#)

STRUCTURE AND TOP

Matt white, light grey or black melamine tops.

Steel frame and legs, section 20x20 mm, painted with epoxy powder in the matt colours white and graphite grey.

SIZE AND TYPE

- Light workstation two users: table depth 160 cm, lengths 160 and 180 cm; height 75 cm and adjustable aluminium foot with range of +/- 1 cm.
- Light workstation four users: table depth 160 cm, lengths 320 or 360 cm; height 75 cm and adjustable aluminium foot with range of +/- 1 cm.
- Light FLEX workstation: table depth 160 cm, in sizes that can be customised as required by using terminal or intermediate modules in the lengths 160 or 180 cm; height 75 cm and adjustable aluminium foot with range of +/- 1 cm.

The workstations for two and four users and the FLEX workstation are equipped with cable opening on the top.

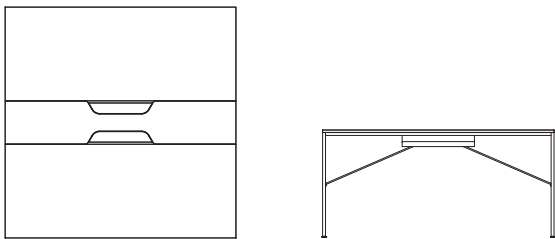
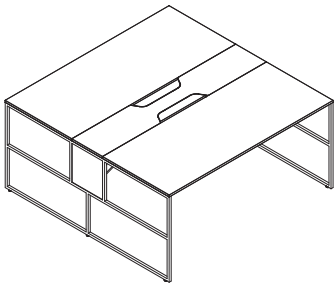
ACCESSORIES

- Finishing panel for the side frames of workstations, upon request finishing panel in orange, green, avio blue, mustard yellow and dark red lacquers. Feasibility, prices and delivery times to be checked with the sales department;
- Transparent plastic cable spring with aluminium painted base;
- Under-top tray for cable collection;
- Screens with clasp fitting, pc holder on wheels, stationery / document holder accessories and drawer units.

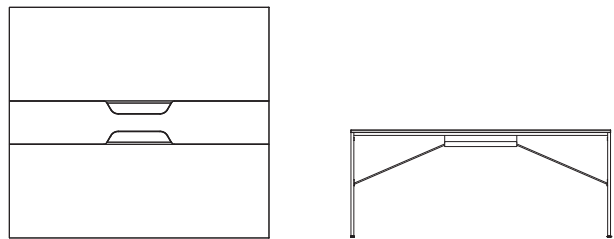
20.VENTI LIGHT



LIGHT WORKSTATION TWO USERS

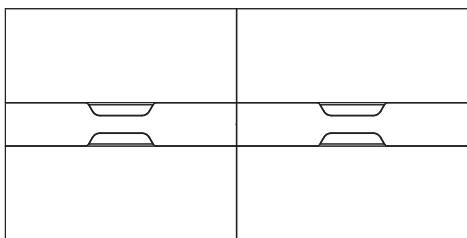
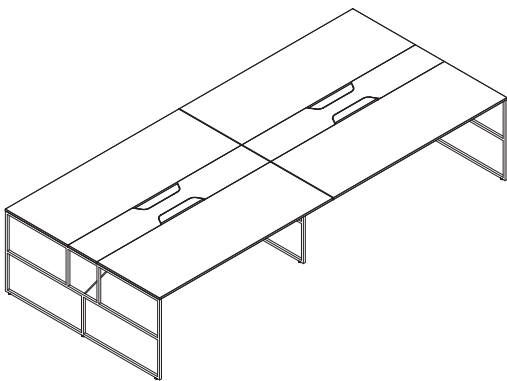


L160 P160 H75

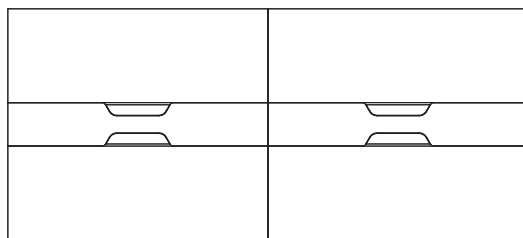


L180 P160 H75

LIGHT WORKSTATION FOUR USERS

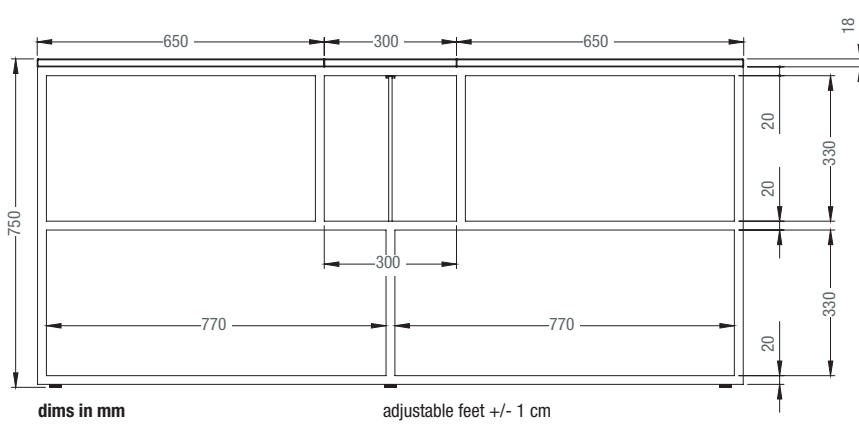


L320 D160 H75

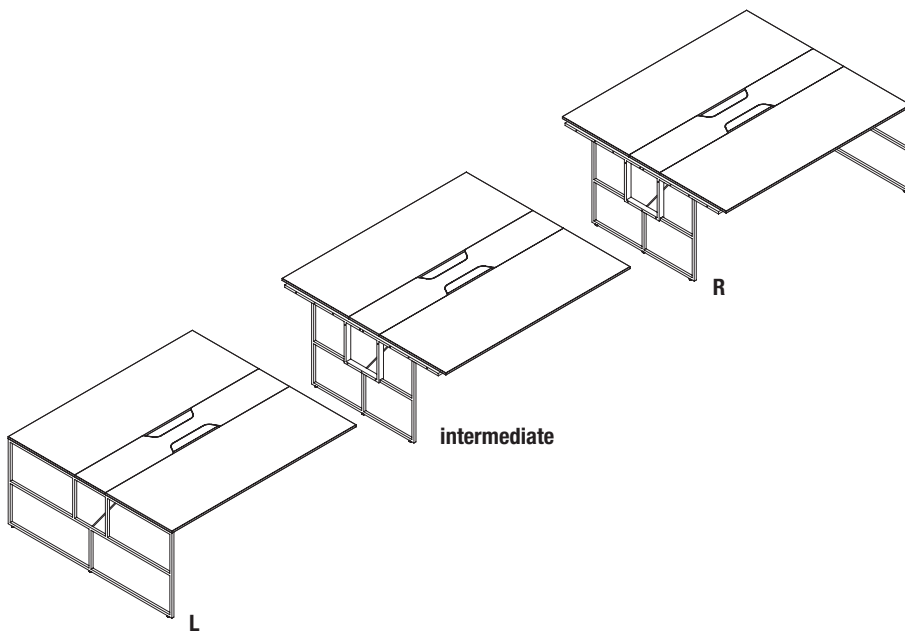


L360 D160 H75

20.VENTI LIGHT



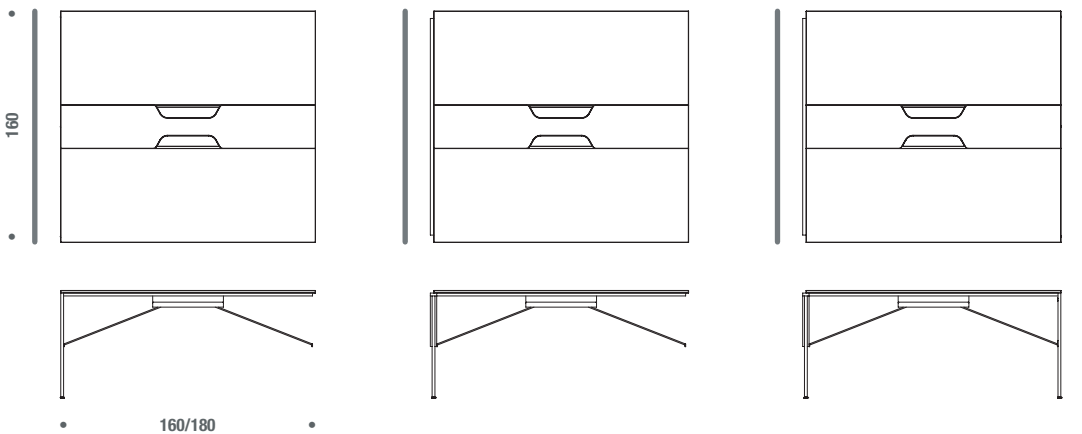
LIGHT FLEX WORKSTATION



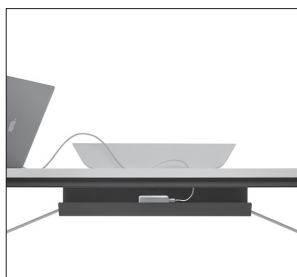
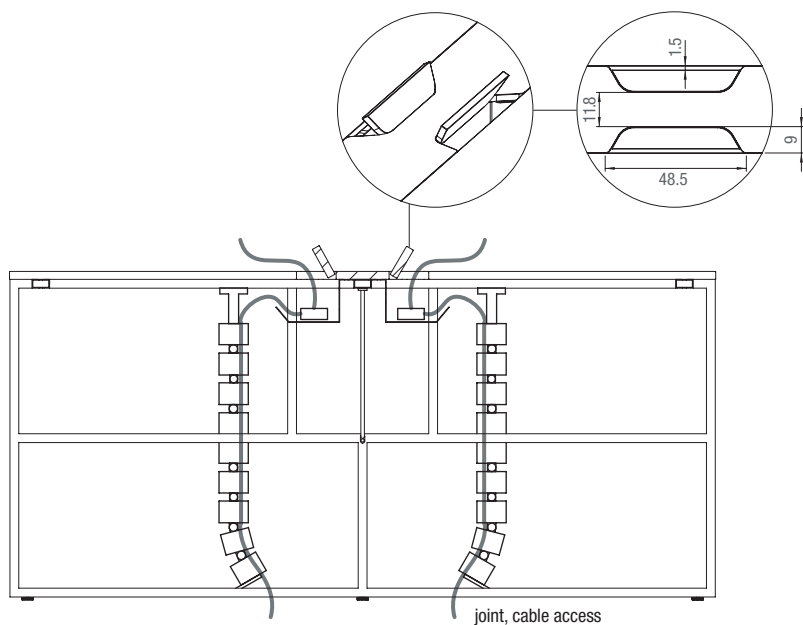
L terminal module

intermediate module

R terminal module

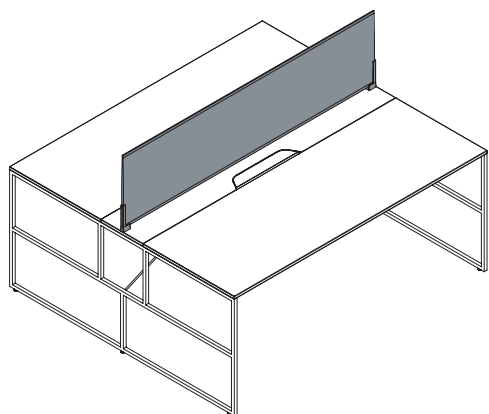


CABLE SCHEME

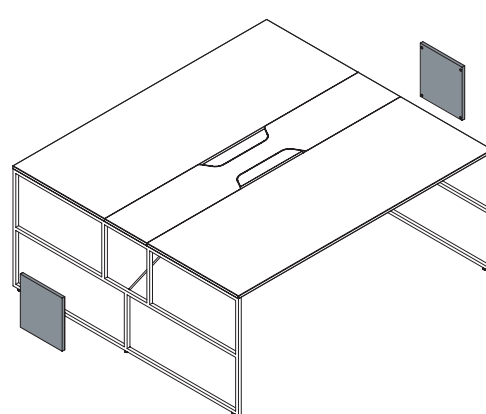


ACCESSORIES

Sound-absorption screen



Finishing panel for the frame



NB. For screens with clasp fitting, pc holder on wheels, stationery / document holder accessories and drawer units see previous pages 20.VENTI system.

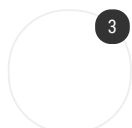
Finishing

The number in the dot corresponds to the number of colour/material finish.

Here below, in the section FINISH OPTIONS, please note all the colours of the materials used for this product.

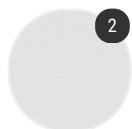
SYSTEM

Top



Melamine

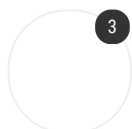
Structure



Matt painted

PANEL FINISHES

Structure



Melamine

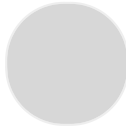
Finish options

TOP

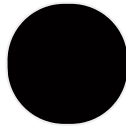
Melamine



Matt
melamine
white



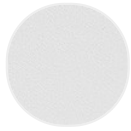
Matt
melamine
light gray



Matt
melamine
black

STRUCTURE

Matt painted



Matt painted
white X053

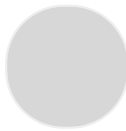


Matt painted
graphite grey
X054

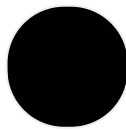
Melamine



Matt
melamine
white



Matt
melamine
light gray



Matt
melamine
black