

Lithos

SMALL TABLES

2010

Antonio Citterio



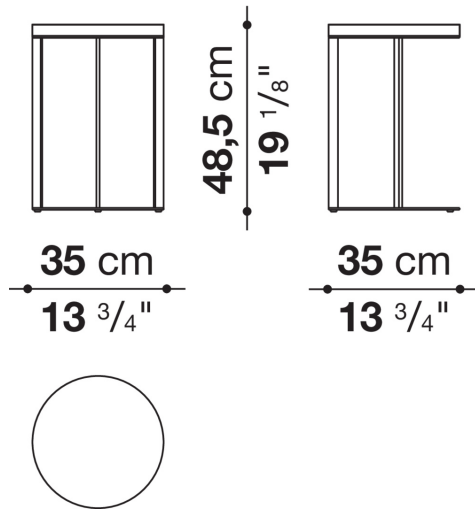
Description

Designed to store and display precious objects with great elegance, the Lithos low tables are ideal for both home and retail spaces. These pieces can be placed in the centre of the room to allow their contents to be viewed, extracted and repositioned with ease. They are available in two sizes and combine a transparent glass top with a metal frame painted in refined hues. The middle top and pull-out trays are in wood, available in a variety of finishes. The trays are coated in colonial or dark brown leather. Also available in the series are square, rectangular or circular coffee tables to be placed in the center of the room or next to the sofas with marble tops in different colours or in wood with slatted upper and lower top.

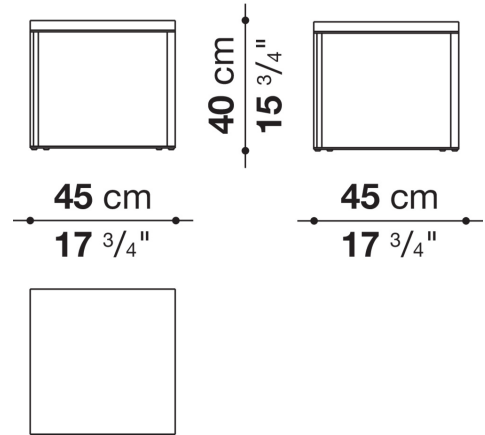
Technical information

Top
wood particles panel with parts in veneered solid wood or marble (glossy polyester finish or natural finish)
Lower top (SMTM6L-SMTM7L)
wood particles panel with parts in veneered solid wood
Top (TLT13-TLT18)
extra light glass
Middle top (TLT13-TLT18)
veneered MDF wood fibre
Extractable tray (TLT13-TLT18)
veneered MDF wood fibre with leather covered bottom base
Frame
steel profiles
Ferrules
plastic material

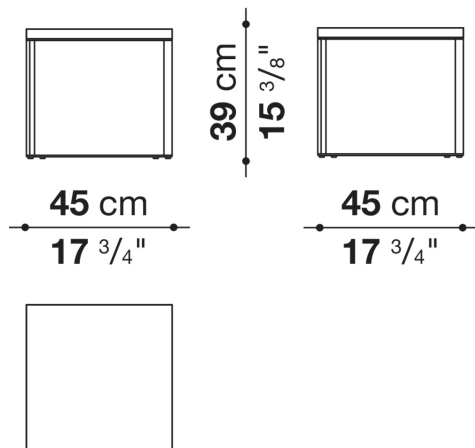
SMTT3BM



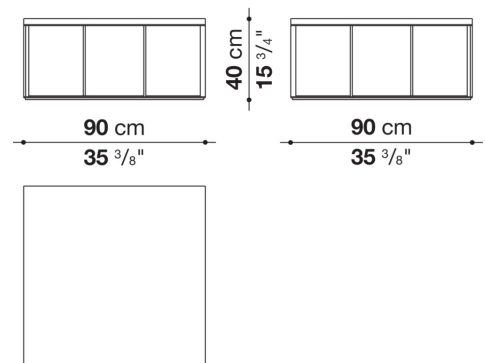
SMTL4



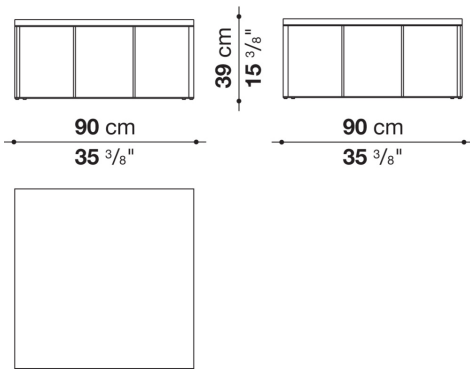
SMTM4M



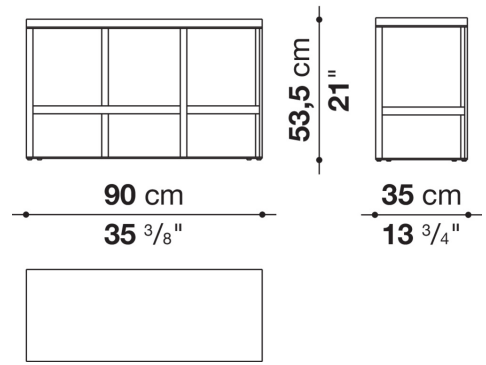
SMTL6



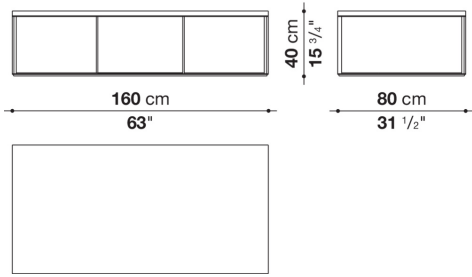
SMTM6M



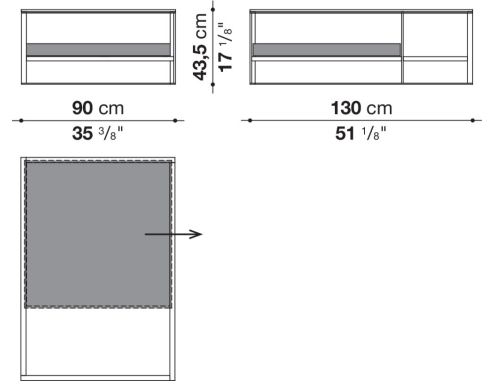
SMTL5



SMTL7



TLT13



TLT18

