

---

# Pablo Outdoor

ARMCHAIRS

2022

Vincent Van Duysen



## Description

---

The Pablo armchair by Vincent Van Duysen, with its decisive design and innovative proportions, is available in an outdoor version, breathing life into a series that includes an armchair in two depths, sofa, and footrest. The soul of the original project lies in the wood frame, which for Pablo Outdoor is made of teak, the ideal material for outdoors. The geometry of the supporting frame presents a sophisticated balance of straight and curved lines, but this is not just an aesthetic choice. In fact, the frame, with its uninterrupted surface, was designed to ease maintenance of the wood, which is easy to treat as necessary. The rear fabric panels are anchored to rods that can be removed easily. This is also an aesthetic choice that meets a technical solution aimed at simplifying care for the wood and maintenance of the textile parts. These design expedients allow customers choosing the Pablo Outdoor collection to let it age naturally or have it returned its original condition. The continuity of the form and quality of the wood make Pablo Outdoor particularly pleasant to the touch. Comfort and softness are also found in the deep seat and back enhanced with cushions that can be arranged freely. The low seat is composed of a single generously upholstered cushion, nearly a mattress that creates an ample area perfect for isolating yourself or sharing moments of conviviality.

# Technical information

---

**Frame**

solid wood

**Upholstery**

shaped polyurethane of different density, cover in water repellent polyester fibre

**Back support**

stainless steel tubular covered in fabric

**Seat slats**

polypropylene reinforced with glass fibre

**Ferrules**

thermoplastic material

**Waterproof cover cloth**

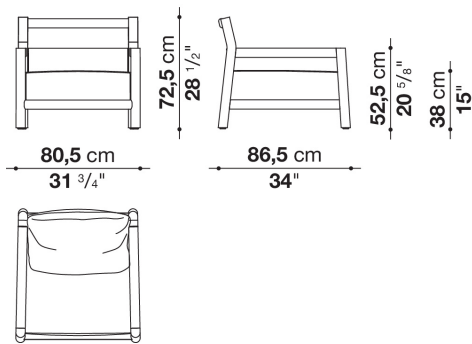
PES fabric coated on one side in PU

**Cover**

fabric in limited categories

# Technical drawings

**PBL80**



**PBL82L**

