

Borea

TABLES

2021

Piero Lissoni



Description

Borea is an outdoor dining table characterised by the particular steel frame that supports the large lava stone top. The latter, sourced from Etna, is processed as large, rectangular glazed tiles available in three bright and sophisticated colours: sage, clay and ocean blue. The glazed surface is made from a special material obtained by recovering the glass of discarded TV and computer monitors and applying it to the stone through an exclusive manufacturing process. The table comes in two sizes, accommodating six and eight people respectively. Borea is a complete series of outdoor furniture including, in addition to the dining table, sofas, armchairs, small dining armchairs and small tables.

Technical information

Frame

tubular stainless steel

Top

enamelled lava stone

Lower shelf

honeycomb panel in aluminium with ABS edge

Ferrules and spacers

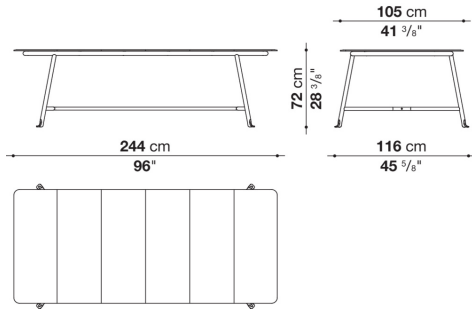
plastic material

Waterproof cover cloth

PES fabric coated on one side in PU

Technical drawings

TBE244



TBE285

