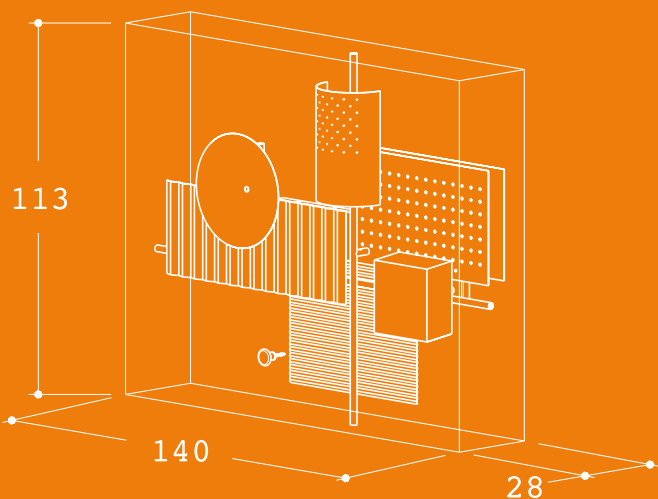


Units = Cm



Wallie Scultura | 2014

Details



+ Mounting	<i>Wall lamp</i>
+ Materials	<i>Brass/stainless steel</i>
+ Weight (Kg)	<i>23</i>

Rating

+ Bulb type	<i>5 x HSGS max 33W G9</i>
+ Working voltage (V)	<i>220/240</i>
+ Protection	<i>Class I / IP 20</i>

CE According to the EC directives

Finishing

-  TWA 200-0924 *Brass/textured and glossy black*
-  TWA 200-0923 *Brass/textured and glossy black - glossy white*