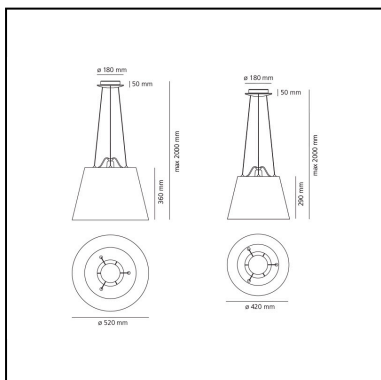


Tolomeo Mega suspension - Body lamp - Aluminium - Body Lamp

Michele De Lucchi
Giancarlo Fassina



IP20     Dimmerable: 



LUMINAIRE *

- Watt: **21W**
- Voltage: **220V-240V**
- Delivered lumen output: **1411lm**
- Efficiency: **58%**
- Efficacy: **67.20lm/W**
- CRI: **80**

* Photometric data may vary depending on the source installed.
Light measurements are provided in relative form and technical lighting calculations may be updated according to the effective source used.

Notes

Possibility to mount LED source on E27 Socket. Complete lamp consists of body lamp + accessories

DESCRIPTION

Icon of Italian design and the result of the brainchild of designers Michele De Lucchi and Giancarlo Fassina, the Tolomeo lamp was launched on the market in 1987. It embodies the perfect balance between functionality and aesthetics.

The design of the Tolomeo is characterized by clean and minimalist lines, with a structure made of aluminum. This material gives the lamp not only a modern and sophisticated look but also remarkable lightness and robustness.

In the Mega Suspension version, the Tolomeo diffuser, in two different sizes, is simply suspended for a simple and stylish solution both stand-alone and coordinated with the wide range of versions from the Tolomeo family.

FEATURES

- Product Code: **0782010A**
- Colour: **Aluminium**
- Installation: **Suspension**
- Material: **Aluminum**
- Series: **Design Collection**
- design by: **Michele De Lucchi, Giancarlo Fassina**

DIMENSIONS

- Base Width: **50 mm**
- Base Diameter: **180 mm**
- Max Height from ceiling: **2000 mm**

SOURCES NOT INCLUDED

- Category: **LED RETROFIT**
- Number: **1**
- Watt: **21W**
- Socket: **E27**

Accessories



Black fabric diffuser ø 520 mm 0772040A



Silk diffuser ø 520 mm 0781060A



Parchment paper diffuser ø 520 mm 0780060A



Parchment paper diffuser ø 420 mm 0780030A



Silk diffuser ø 420 mm 0781030A



Black fabric diffuser ø 420 mm 0772030A