

Super Line Down

■ 03.9511.02 - Grey

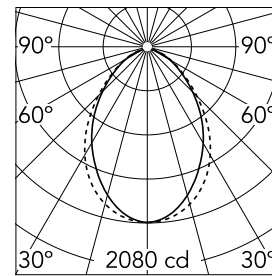
LED luminaire for general lighting with a signature minimalist and compact design, to be installed on ceilings by means of suspension. Power source included in installation kits must be ordered separately.

Main specifications

Lamp category	LED	Mountings	Suspension
Power (W)	38.6W	Environment	Indoor dry location
CCT (K)	4000K		
CRI	90		
Net lumen (lm)	3814		

Optical

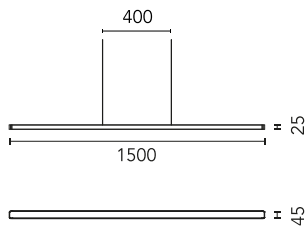
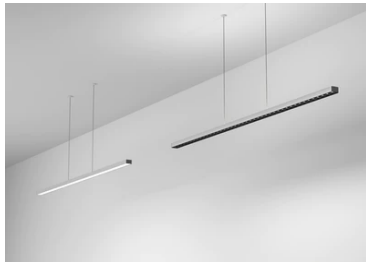
Lighting type	Direct
LED type	Top LED
Light distribution	Symmetric
Optical type	Diffused light
Beam angle (°)	76
Beam angle C90-270 (°)	82



Beam Angle: 76°

h(m)	E(lx)	D(m)
1	2080	1.57
2	520	3.13
3	231	4.70
4	130	6.27
5	83	7.84

Luminous flux luminaire
3814 lm



Electrical

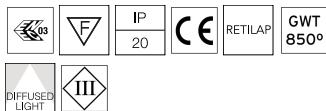
Voltage (V)	37.20	Insulation class	III
Dimmable	Yes		
Driver	Remote		
Driver type	Non Dimmable, Dimmable DALI		
Emergency	Without		

Physical

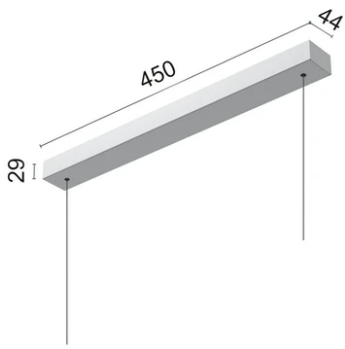
Color	Grey
Orientation	Fixed
Weight (kg)	1.45
Length (mm)	1500

Note

Cable 4,25 m



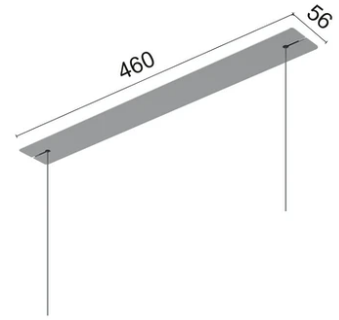
Super Line Down



Surface Kit 60W. Dali Version
08.0521.40



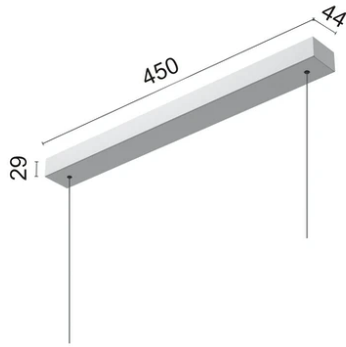
Remote Power Supply Kit 60W. Dali Version
08.0525.14



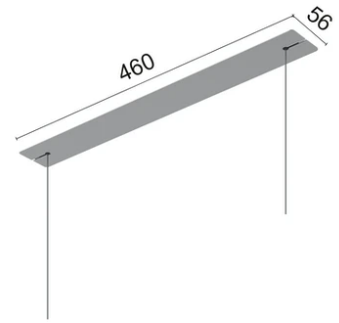
Recessed Kit 60W. Non Dimmable
08.0522.14



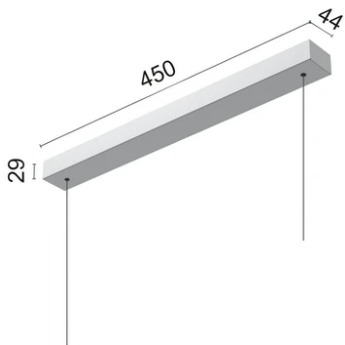
Remote Power Supply Kit 60W. Dali Version
08.0525.40



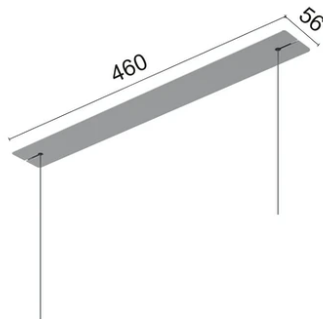
Surface Kit 60W. Non Dimmable
08.0520.14



Recessed Kit 60W. Non Dimmable
08.0522.40



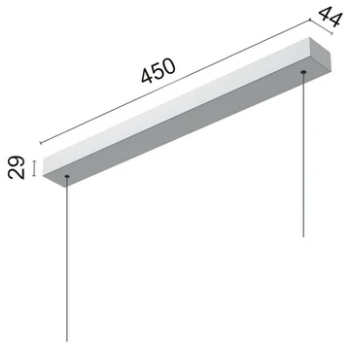
Surface Kit 60W. Dali Version
08.0521.02



Recessed Kit 60W. Dali Version
08.0523.14



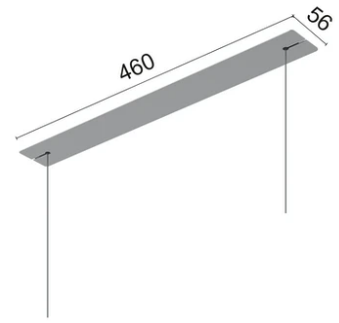
Remote Power Supply Kit 60W. Non Dimmable
08.0524.40



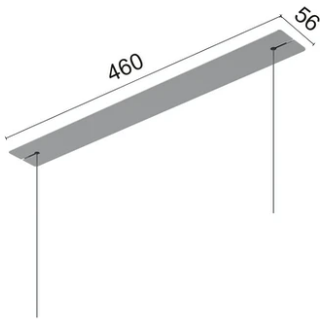
Surface Kit 60W. Dali Version
08.0521.14



Remote Power Supply Kit 60W. Non Dimmable
08.0524.02



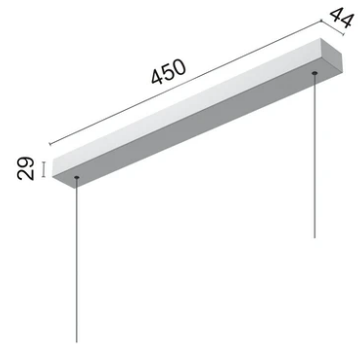
Recessed Kit 60W. Non Dimmable
08.0522.02



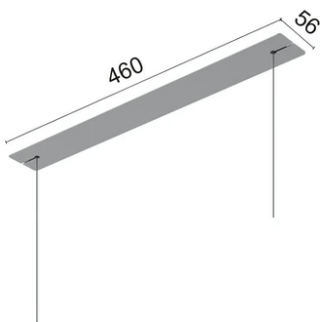
Recessed Kit 60W. Dali Version
08.0523.02



Remote Power Supply Kit 60W. Non Dimmable
08.0524.14



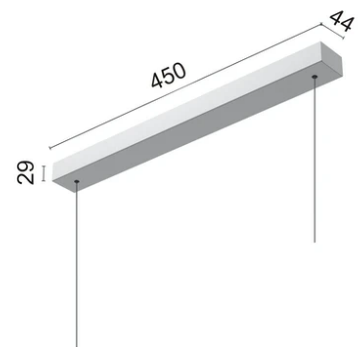
Surface Kit 60W. Non Dimmable
08.0520.02



Recessed Kit 60W. Dali Version
08.0523.40



Remote Power Supply Kit 60W. Dali Version
08.0525.02



Surface Kit 60W. Non Dimmable
08.0520.40