

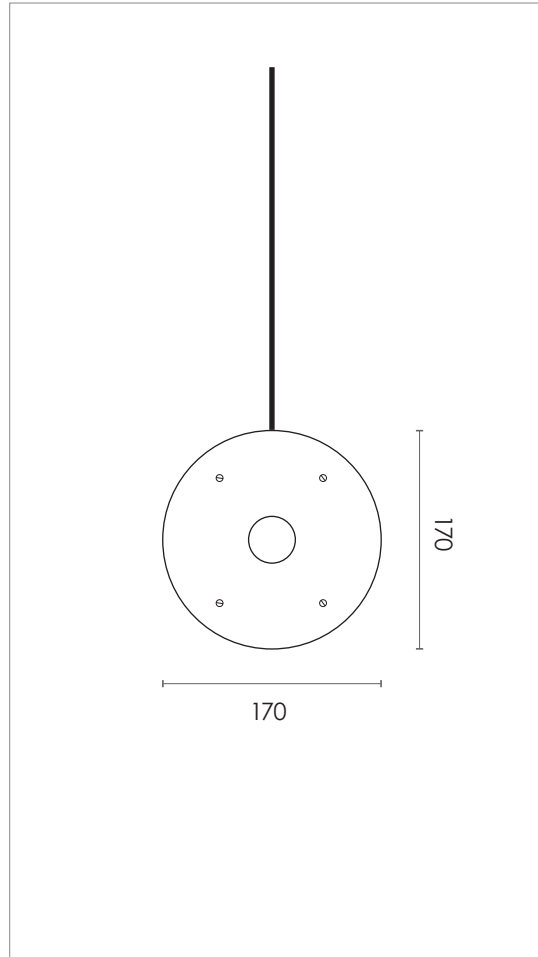
# Sterling PENDANT

## Design Specifications

|                 |   |
|-----------------|---|
| DIMENSIONS (mm) | H 170 x W 170                                       |
| WEIGHT (kg)     |   |
| MATERIALS       | The lamp is made from solid brass and Acrylic shade |
| CORD (mm)       | Black textile - L 3800mm                            |
| ENVIRONMENT     | Indoor  |
| DESIGN BY       | Niclas Hoflin                                       |
| DESIGN YEAR     | 2021  |

## Electrical specifications

|              |                                       |
|--------------|---------------------------------------|
| SWITCH       | No                                    |
| BULB HOLDER  | GX53 bulb holder<br>Dimmable          |
| LIGHT SOURCE | Included light source not integrated. |
| DIMMABLE     | YES                                   |
| MAX (W)      | 10W LED Panel                         |
| VOLTAGE      | 230v AC                               |
| CLASS        | 2                                     |
| IP           | 20                                    |



## COLOURS



**BRASS**

ART.NO. 530510001