

**MATERIAL OPTIONS****452E TOGETHER EXTENDING TABLE**

Joining the family of Seating for Eating, is Together Extending Table. Rounded ends act as drop leaves, creating a rectangular table when locked underneath. The rounded ends invite people to move up and get snug. Designed by Studioilse and manufactured by De La Espada for the Studioilse brand.

SIZE

452EM

W190/235.5/281 × D75 × H72.5 cm

W74 4/5 / 92 5/7 / 110 5/8 × D29 1/2 × H28 1/2 "

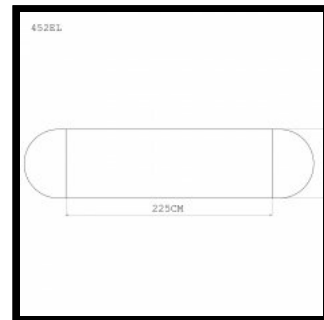
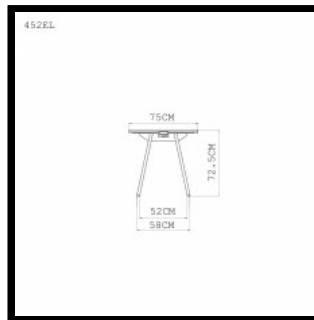
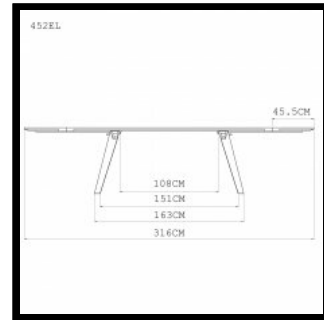
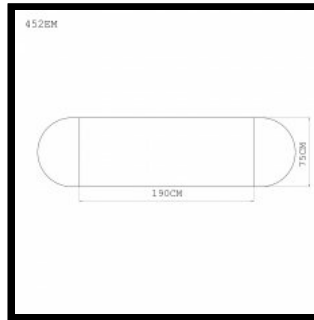
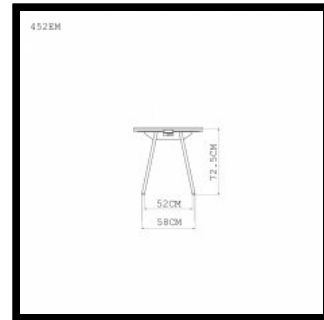
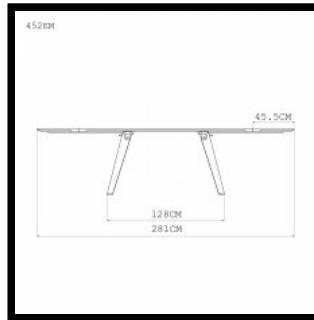
452EL

W225/270.5/316 × D75 × H72.5 cm

W.88 4/7 / 106 1/2 / 124 2/5 × D29 1/2 × H28 1/2 "

SPECIFICATION

Available in solid European chestnut with a Danish oil finish, white oil finish, or painted pure white RAL 9010 (eggshell finish) or black brown RAL 8022 (eggshell finish). Also available in solid walnut with a Danish oil finish. Copper feet. Brushed copper locking mechanism. Our chestnut is carefully selected with knots to enhance the character of the wood. The extension bars are centrally located on the hinged ends of the table. To extend, unlock the metal latch by sliding it to the side. Once released, fold the leaf upward, then pull the extension bar fully until it hits the stopper. NOTE: Due to the length limitations of solid European Chestnut, the wood grain on the extension leaves does not match that of the table. This limitation does not apply to American black walnut. Assembly: Together Table



0
1
S
T
U
D
I
O
I
L
S
E

452E TOGETHER EXTENDING TABLE

452EM

W190/235.5/281 × D75 × H72.5 cm

W74 4/5 / 92 5/7 / 110 5/8 × D29 1/2 × H28 1/2 "

452EL

W225/270.5/316 × D75 × H72.5 cm

W.88 4/7 / 106 1/2 / 124 2/5 × D29 1/2 × H28 1/2 "